



Ceramic Farmhouse Kitchen Sinks Installation Guide

Before You Begin

IMPORTANT

- Read and understand this installation guide completely before installation. It will increase the chance of a successful installation.
- It is recommended that the installation be performed by trained and experienced installers.
- Observe all local plumbing and building codes.
- Make sure the installation site is clean and free of dust and debris.
- Unpack and inspect the sink from the package for shipping damage and make sure all parts are included with the sink.
- Keep the sink in its package until you are ready to install.

CAUTION

- This product can break, chip, cause injury or become damaged if handled carelessly. Handle with care.
- This product is very heavy, get help when lifting the sink.

NOTICE

- This installation guide is subject to change without notice, please contact us to request the most updated version of this installation guide.
- Product drawings in this installation guide are for illustration purpose only. Actual product may vary depends on model.
- The base cabinet should be at least 3 inches larger than the actual size of the sink.
- Granite or solid countertop is recommended to install with this farmhouse sink.
- This product is for residential use ONLY.
- Keep this installation guide and a copy of the receipt for your records.

Thank you for purchasing Luxier products. Please read the information below and keep this installation guide for future reference. If you require assistance, please contact our customer service department at 1-877-711-8828, Monday - Friday 9 AM - 5 PM Pacific Time or by email at support@luxierusa.com.

Tools (Recommended)

Tape Measure	Power Tools (saw, drills)
Pencil / Marker	Silicon Sealant
Safety Glasses and Gloves	Screwdrivers
Drop Cloth	Level

Package Content

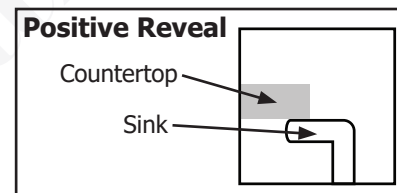
Item Description	Quantity
Ceramic Farmhouse Sink	1
Bottom Grid	1
Basket Strainer	1

Installation

IMPORTANT

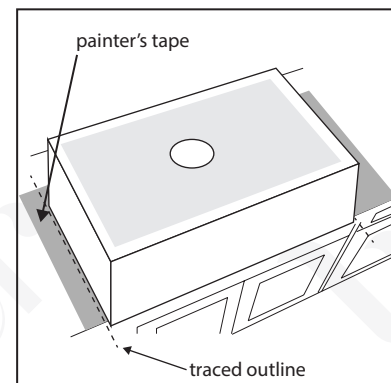
- The firing process used to make ceramic sinks can cause slight variations in their dimensions. Therefore no cutout template is provided. It is recommended to use the actual sink itself as a template for cutting the countertop.
- The base cabinet should be at least 3" wider than the actual size of the farmhouse sink. A 36 inch base cabinet is recommended for this installation.
- Verify the depth of the apron will fit the base cabinet without overlapping the cabinet doors.
- The countertop must be flat and fully supported by the base cabinet.
- Allow enough clearance for the installation of faucet, backsplash and plumbing pipes, etc.
- Due to the product weight, we recommend using an undermount installation method for this product. A supporting frame will need to be built in the cabinet to support this sink.

1. It is recommended to install the kitchen sink with a positive reveal. The sink rim is about 5/16" revealed around from the edge of the countertop.



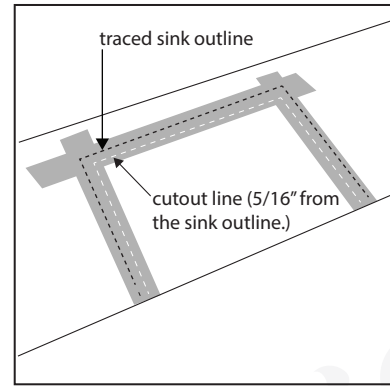
2. **NOTE:** Due to the nature of clay and manufacturing process, the dimensions of the sink will vary slightly. It is recommended that the sink being installed be used as its own template to ensure perfect fit.

Place some painter's tape on the countertop where the sink will be installed. Place the sink upside down on the tape. Make sure the sink is properly oriented and positioned. Use a pen to trace the outline of the sink on the tape.

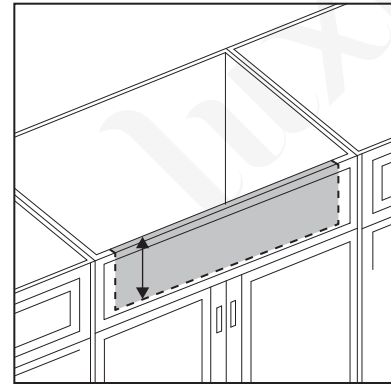


Installation (cont.)

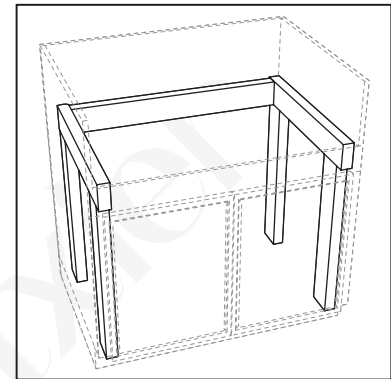
3. Remove the sink and mark a line $5/16''$ inside the traced sink outline. This will be the cut line for the countertop.



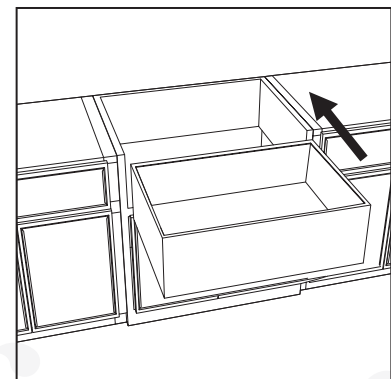
4. Measure the height of the front apron. Add $1/16''$ to the measurement and mark it on the front of the cabinet. Cut the front face of the cabinet.



5. Use 2 x 4 lumbars to build a support frame inside the base cabinet. Make sure the supports are level and secured to the base cabinet with screws.

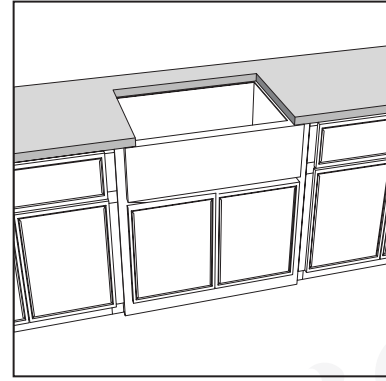


6. Place the sink on the support and verify that it is level. Make sure the sink is supported by the frame. Make adjustment and shim as needed.



Installation (cont.)

7. Apply silicone sealant around the sink edge and install the countertop. Wipe away any excessive sealant from the sink. Install the strainer with some plumber's putty, connect the drain to the P-trap to complete the installation of the sink.



Maintenance Guide

1. Regular cleaning can keep the original appearance of the sink. Use a mild detergent such as liquid dishwashing soap and warm water for cleaning. Rinse thoroughly with clean water to remove any cleaner residue and towel dry the sink immediately.
2. Any acidic food residue must be cleaned up immediately. For example, juices, salt, mustard, dressing, etc.
3. Carefully read the cleaner product label to ensure the cleaner is safe for use on the material.
4. Do not use abrasive / harsh chemical when cleaning the product as they will damage and dull the finish. Avoid chlorine based solution from coming in contact with the stainless steel.
5. When using spray cleaners, spray first onto a soft cloth or sponge. Never spray directly onto the surface.
6. Never use steel wool or scrubbing powder to clean the surface.

Limited Two (2) Year Warranty (For USA Only)

The manufacturer warrants this product to be free of manufacture defects during daily normal household use for as long as it is owned by the original purchaser of this product. Please keep a copy of the original invoice as proof of purchase.

Should a malfunction occur within the warranty period, Luxier USA will, as its option, (1) repair or replace the defective part(s) or product(s) at no charge; (2) issue a refund of the original purchase price of the product(s) (Valid within 30 days from the date of purchase); or (3) issue a credit to be applied toward the purchase of a new Luxier product. Shipping/delivery charges may apply and are in Luxier USA's sole discretion.

This limited warranty shall not apply to goods which have been subject to accident, negligence, improper installation, product abuse, product misuse, or use of cleaners containing abrasives, alcohol or other organic solvents, whether performed by a contractor, service company, or yourself, are excluded from this warranty.

Our responsibility under this limited warranty is limited to only to replacement parts and no other costs. Luxier USA will not be responsible for labor charges and/or damage incurred by installation, repair or replacement, nor for any indirect incidental or consequential damages, losses, injury or costs of any nature relating to this product. Except as provided by law, this limited warranty is in lieu of and excludes all other warranties, conditions, and guarantees, whether expressed or implied, statutory or otherwise, including without restriction those merchantability of fitness for use.

This limited warranty is non-transferable. This limited warranty only applies to products purchased and installed in the United States. This limited warranty covers the original consumer purchase only and does not include business, commercial or industrial use of this product. To obtain service under the Limited Warranty, please contact Luxier USA at support@luxierusa.com. The Luxier USA Customer Care Department will determine whether to repair or replace your product, issue a refund, or issue a credit.